



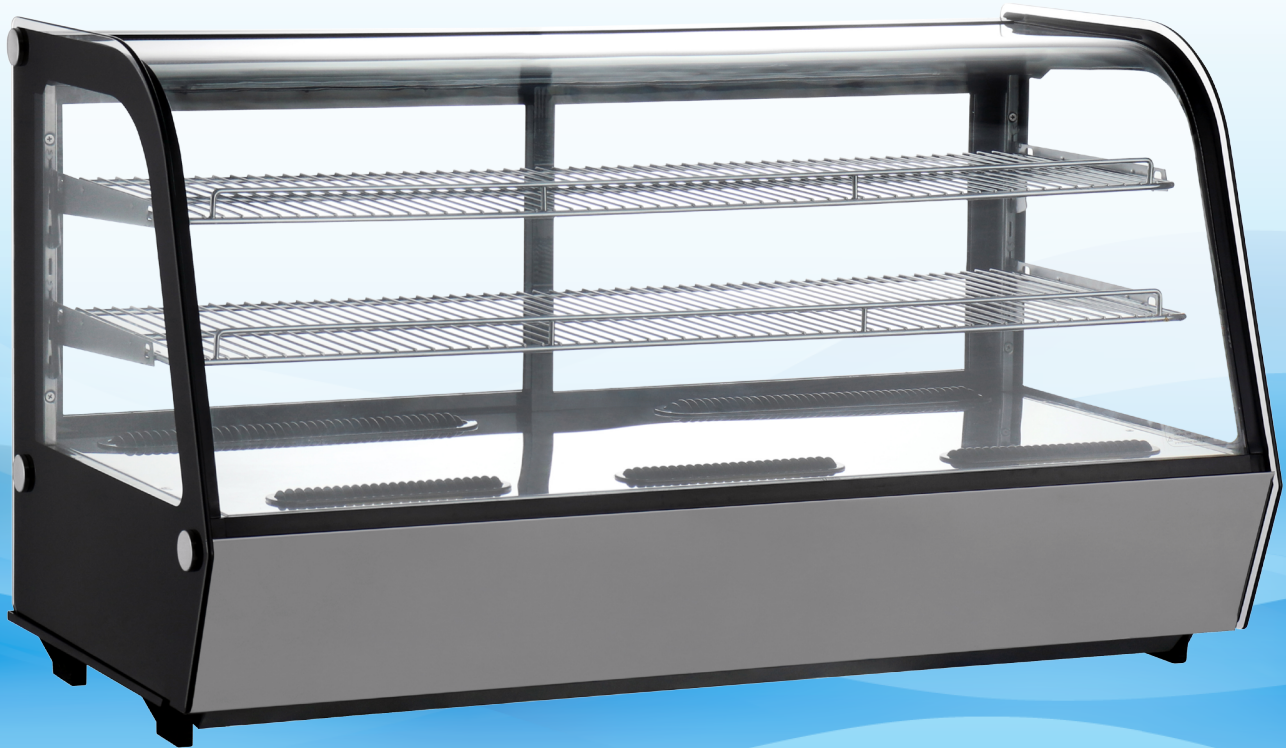
REFRIGERATION

48-INCH COUNTERTOP REFRIGERATED DISPLAY

Item: 44631 Model: RS-CN-0202-4

**ATTRACTIVELY DESIGNED
TO BOOST IMPULSE SALES**

Omcans 48-inch Countertop Refrigerated Display Case helps to boost impulse sales of your most popular food anytime! This refrigerated display case has interior LED lights on top for better product visibility. Boasting a powerful 340 Watts Input Power, it also features ventilated cooling system and automatic defrost.



**PRODUCT
FEATURES**

- Brilliant internal LED lighting on top
- Digital temperature controller and display
- Adjustable chrome plated shelves
- 4 sides are double glass
- Front curved glass
- Ventilated cooling system
- Automatic defrost
- Air duct outside the glass to remove water condensation



WARRANTY
PARTS AND LABOR



Authorized Dealer

REFRIGERATION

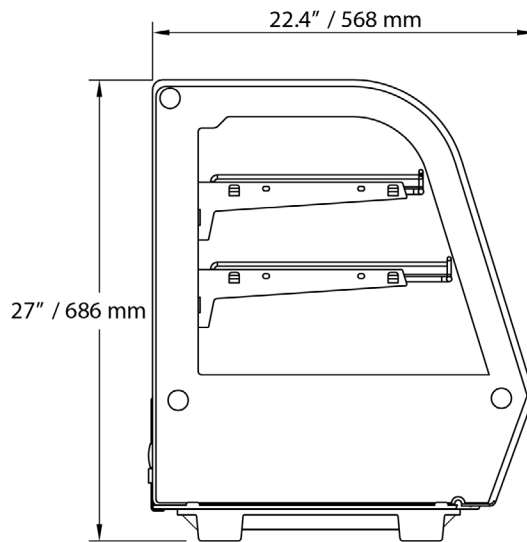
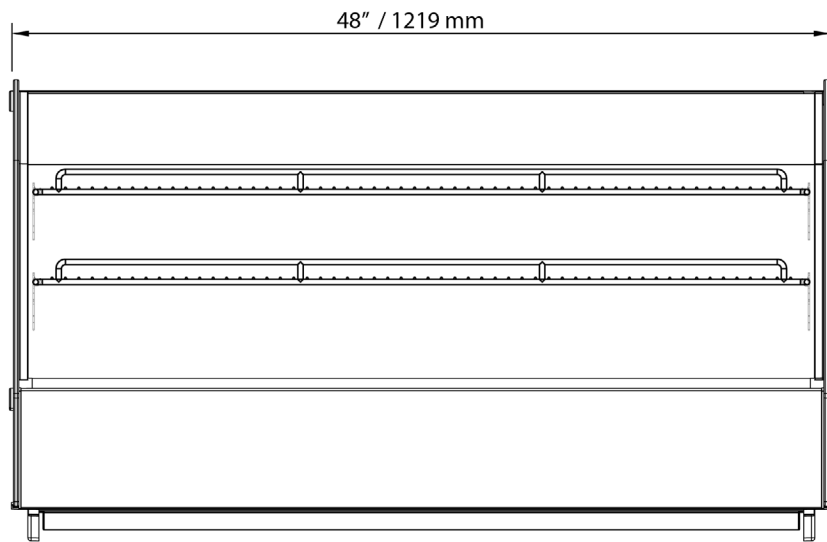
48-INCH COUNTERTOP REFRIGERATED DISPLAY CASE



TECHNICAL SPECIFICATIONS

| | |
|------------------------|--|
| ITEM NUMBER | 44631 |
| MODEL | RS-CN-0202-4 |
| CAPACITY (L / CU. FT.) | 202 L / 7.13 cu. ft. |
| INPUT POWER | 340 W |
| REFRIGERANT | R-290 |
| TEMPERATURE RANGE | 0° - 12°C / 32° - 53.5°F |
| ELECTRICAL | 110V / 60Hz / 1Ph |
| SHELF DIMENSIONS | Top Shelf: 45.5" x 13.18" / 1155.7 x 335 mm Bottom Shelf: 45.4" x 14.4" / 1153.16 x 365.76 mm |
| SHELF LOAD CAPACITY | 33 lbs. / 15 kg. |
| DIMENSIONS (WDH) | 48" x 22.4" x 27" / 1219 x 568 x 686 mm |
| GROSS DIMENSIONS | 50.8" x 24.7" x 28.9" / 365.76 x 627.38 x 734.06 mm |
| WEIGHT | 195.1 lbs. / 88.5 kg. |
| GROSS WEIGHT | 203.9 lbs. / 92.5 kg. |

TECHNICAL DRAWINGS WITH DETAILED DIMENSIONS



OMCAN INC.

Telephone: 1-800-465-0234

Fax: (905) 607-0234

E-mail: sales@omcan.com

Website: www.omcan.com



Follow us to keep up to date
with the latest news and offers



2019.E.O.E